

VULCAN

CATALOG OF REPLACEMENT PARTS

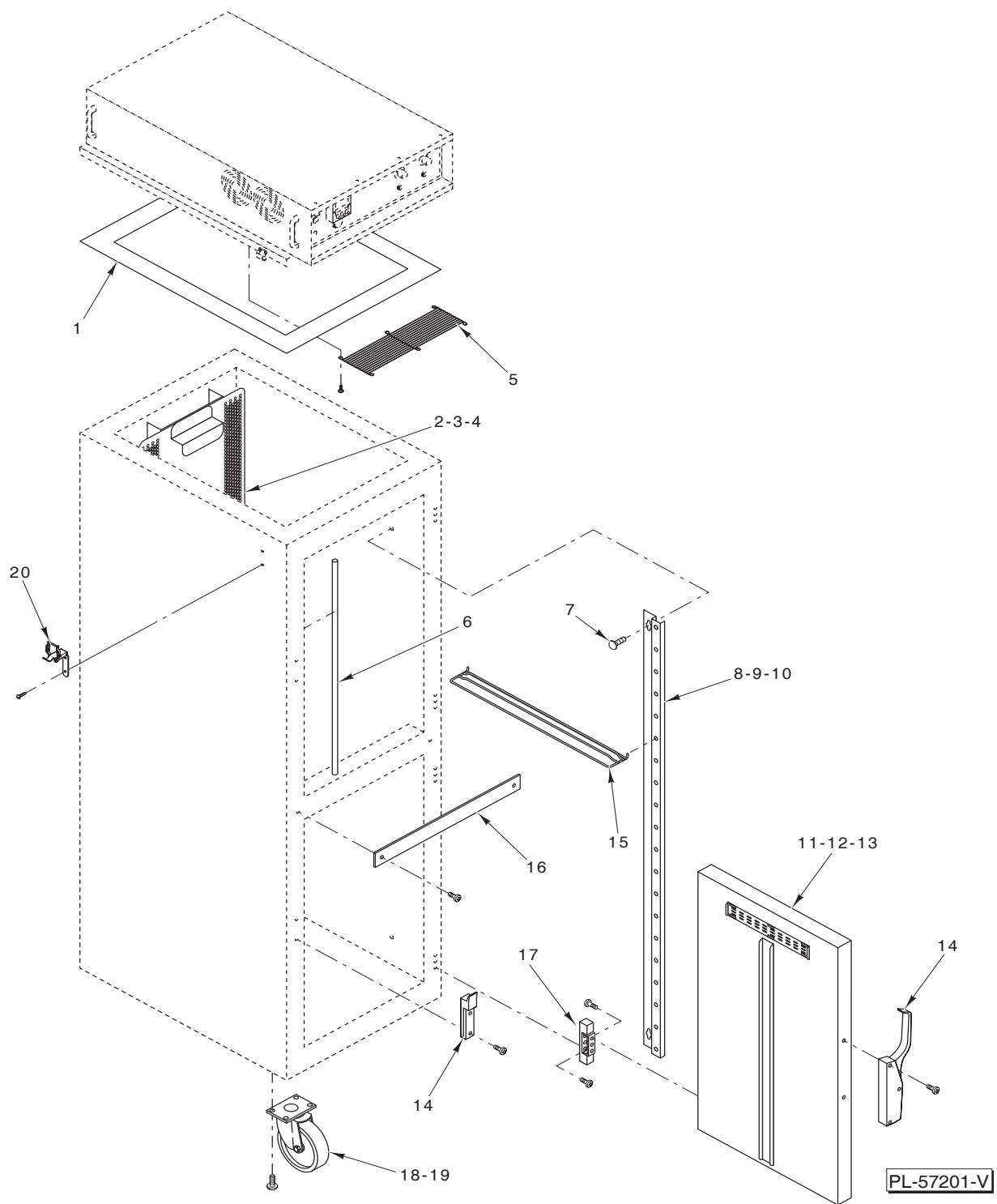
VCH SERIES COOK & HOLD CABINETS

MODEL

<i>VCH5</i>	<i>ML-126339</i>
<i>VCH8</i>	<i>ML-126340</i>
<i>VCH16</i>	<i>ML-126341</i>
<i>VCH88</i>	<i>ML-126342</i>



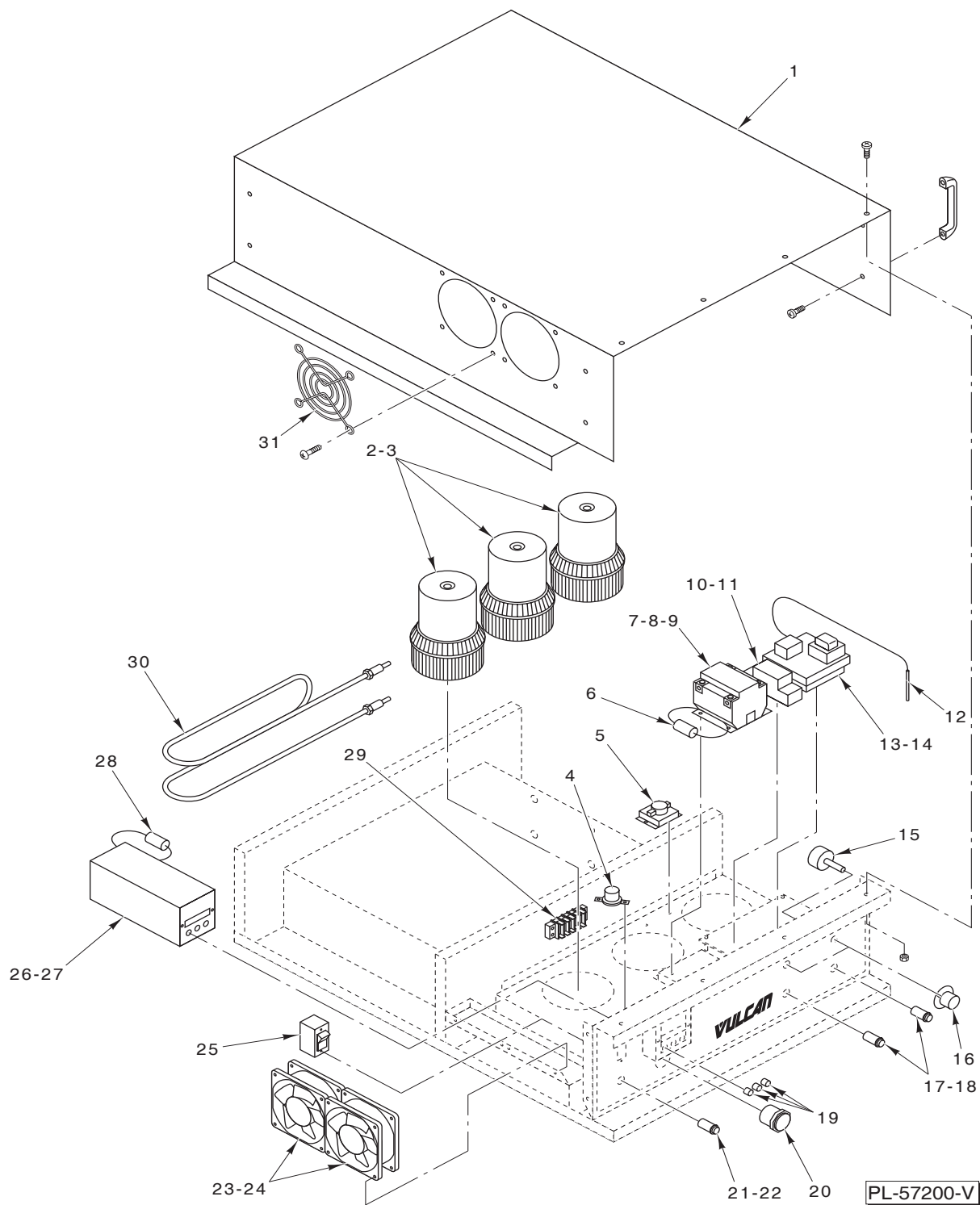
For additional information on Vulcan-Hart or to locate an authorized parts and service provider in your area, visit our website at www.vulcanhart.com



CABINET AND DOOR

CABINET AND DOOR

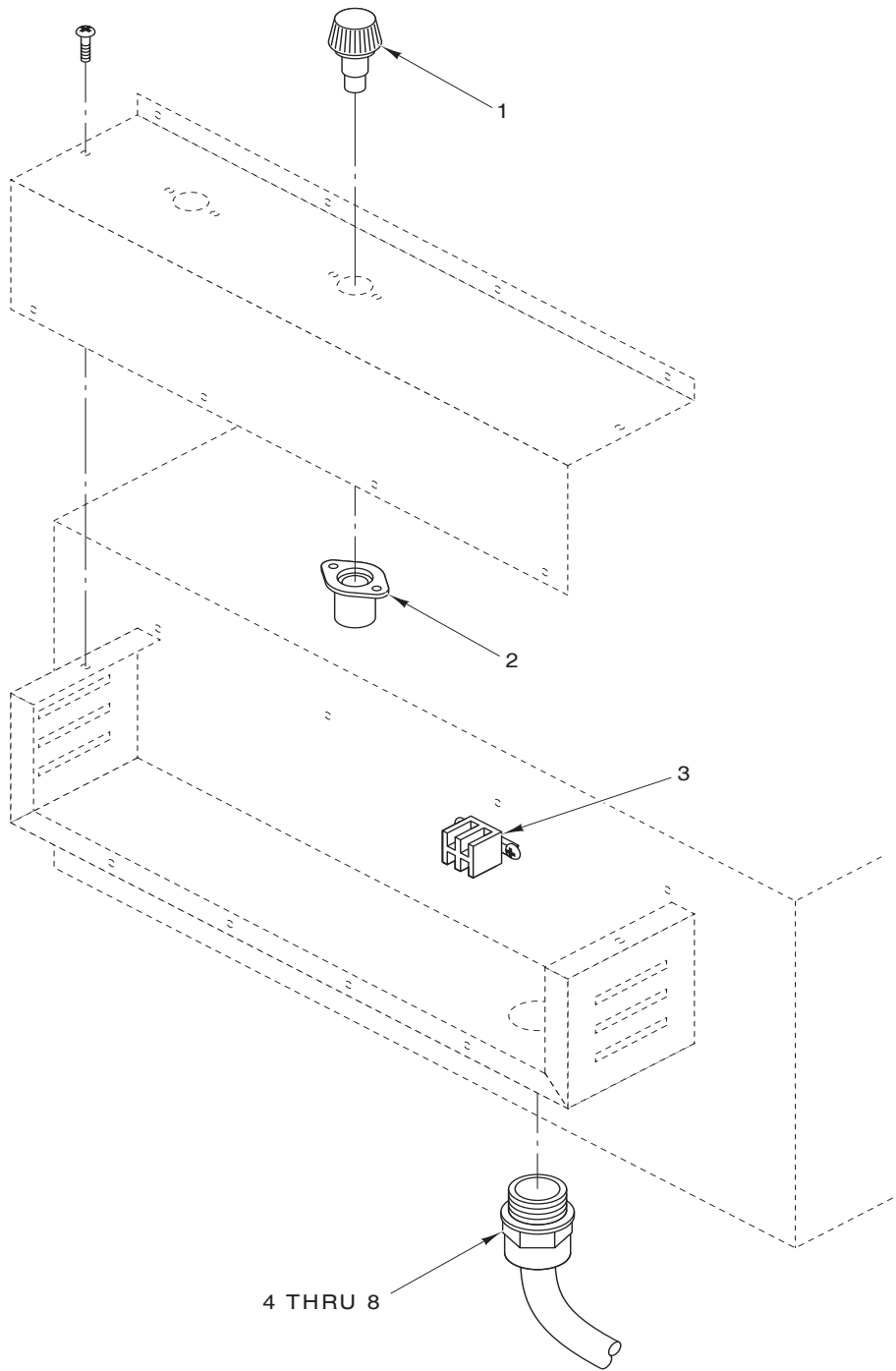
ILLUS. PL-57201-V	PART NO.	NAME OF PART	AMT.
1	00-851800-00066	Gasket – Hot Top Seal (Orange).....	AR
2	00-851800-00091	Tunnel – Air Flow (VCH5).....	1
3	00-851800-00092	Tunnel – Air Flow (VCH8, VCH88).....	AR
4	00-851800-00093	Tunnel – Air Flow (VCH16).....	1
5	00-851800-00037	Grate – Blower Air.....	AR
6	00-851800-00017	Gasket – Door Seal (Black) (Sold Per Foot).....	AR
7	00-851800-00026	Bolt – Retaining (Side Rack).....	AR
8	00-851800-00075	Support – Rack (VCH8, VCH88).....	4
9	00-851800-00076	Support – Rack (VCH16).....	4
10	00-851800-00074	Support – Rack (VCH5).....	4
11	00-851800-00053	Door (VCH8, VCH88).....	AR
12	00-851800-00054	Door (VCH16).....	1
13	00-851800-00052	Door (VCH5).....	1
14	00-851800-00056	Latch – Door (Complete w/Catch).....	AR
15	00-851800-00310	Slide – Universal (Set of 2).....	AR
16	00-851800-00329	Bar – Divider (VCH16).....	1
17	00-851800-00018	Hinge – Door.....	AR
18	00-851800-00038	Caster – Heavy Duty (Rigid).....	2
19	00-851800-00039	Caster – Heavy Duty (Swivel W/Brake).....	2
20	00-851800-00068	Latch – Spring Load (Incls. Screws).....	AR
	00-851800-00063	Gasket – Door (Alum Extrusion) (VCH5).....	1
	00-851800-00064	Gasket – Door (Alum Extrusion) (VCH8, VCH88).....	AR
	00-851800-00065	Gasket – Door (Alum Extrusion) (VCH16).....	2



CONTROLS AND COMPONENTS

CONTROLS AND COMPONENTS

ILLUS. PL-57200-V	PART NO.	NAME OF PART	AMT.
1	00-851800-00043	Cover – Control Top	AR
2	00-851800-00035	Motor – Blower (120 V.)	AR
3	00-851800-00036	Motor – Blower (208-240 V.)	AR
4	00-851800-00087	Thermostat – Cooling Fan	AR
5	00-851800-00086	Thermostat – Hi-Limit	AR
6	00-851800-00081	Suppressor (Orange)	AR
7	00-851800-00040	Contactactor (2 Pole) (120 V.)	AR
8	00-851800-00041	Contactactor (2 Pole) (208-240 V.)	AR
9	00-851800-00042	Contactactor (3 Pole) (208-240 V.)	AR
10	00-851800-00077	Relay (120 V.)	AR
11	00-851800-00047	Relay (208-240 V.) (New Controller Assy.)	AR
12	00-851800-00047	Probe – Air (New Controller Assy.)	AR
13	00-851800-00044	Controller (120 V.)	AR
14	00-851800-00047	Controller (208-240 V.) (New Controller Assy.)	AR
15	00-851800-00046	Potentiometer (120 V.)	AR
	00-851800-00047	Potentiometer (Set of 2) (New Controller Assy.)	AR
16	00-851800-00072	Knob	AR
17	00-851800-00069	Light – Indicator (125 V.)	AR
18	00-851800-00070	Light – Indicator (250 V.)	AR
19	00-851800-00090	Button – Timer (Set of 3)	AR
20	00-851800-00083	Switch – Pushbutton (Blue)	AR
	00-851800-00624	Switch – Pushbutton (Red) (Touch Matic Digital Controller)	AR
21	00-851800-00069	Light – Indicator (125 V.)	AR
22	00-851800-00070	Light – Indicator (250 V.)	AR
23	00-851800-00058	Fan – Cooling (120 V.)	AR
24	00-851800-00059	Fan – Cooling (208-240 V.)	AR
25	00-851800-00082	Switch – Rocker	AR
26	00-851800-00088	Timer (120 V.)	AR
27	00-851800-00089	Timer (208-240 V.)	AR
28	00-851800-00081	Suppressor (Orange)	AR
29	00-851800-00084	Block – Terminal (Internal Distribution)	AR
30	00-851800-00057	Element (120/208-240 V.)	AR
31	00-851800-00060	Screen – Fan	AR
*	00-851800-00046	Controller Assy. (120 V.) (Incls. Items 10, 12, 13, & 15)	AR
*	00-851800-00047	Controller Assy. (208-240 V.) (Incls. Items 11, 12, 14, & 15)	AR
*	00-851800-00588	Thermometer (With Dial) (400 F.)	AR
*	00-851800-00629	Standoffs, Controller (Set of 3)	AR
*	00-851800-00628	Thermostat, Infinite Switch	AR
*	00-851800-00477	Touch Matic Digital Controller	AR
*	00-851800-00321	Control Panel Decal (Black) (Touch Matic Digital Controller)	AR
*	00-851800-00307	Air Probe (Touch Matic Digital Controller)	AR
*		Not Shown	



PL-57202

POWER BOX

POWER BOX

ILLUS. PL-57202	PART NO.	NAME OF PART	AMT.
1	00-851800-00062	Fuse (3 Amp.)	AR
2	00-851800-00061	Holder – Fuse	AR
3	00-851800-00085	Block – Terminal	AR
4	00-851800-00048	Cord – Power (6 Ft.) (208 V.) (VCH5, VCH8, VCH88)	AR
5	00-851800-00049	Cord – Power (6 Ft.) (208 V.) (VCH16)	1
6	00-851800-00050	Cord – Power (6 Ft.) (120 V.)	AR
7	00-851800-00080	Strain – Relief	AR
8	00-851800-00336	Strain – Relief (VCH16)	1

RECOMMENDED SPARE PARTS

PART NO.	NAME OF PART	AMT.
00-851800-00017	Door Gasket (By Foot)	AR
00-851800-00018	Door Hinge	4
00-851800-00035	Blower Motor Kit (115 V.)	AR
00-851800-00036	Blower Motor Kit (208-240 V.)	AR
00-851800-00040	Contactactor (2-pole, 115 V.)	1
00-851800-00041	Contactactor (2-pole, 208-240 V.)	1
00-851800-00042	Contactactor (3-pole, 208-240 V.)	1
00-851800-00044	Controller Only (120 V.)	1
00-851800-00046	Controller, Complete (120 V.)	1
00-851800-00047	Controller, Complete (208-240 V.)	1
00-851800-00056	Door Latch, Complete	2
00-851800-00057	Element (1900 W) (120/208-240 V.)	AR
00-851800-00058	Cooling Fan (115 V.)	2
00-851800-00059	Cooling Fan (208-240 V.)	2
00-851800-00061	Fuse Holder (3-amp)	2
00-851800-00062	Fuse (3-amp)	2
00-851800-00069	Indicator Lamp (115 V.)	AR
00-851800-00070	Indicator Lamp (250 V.)	AR
00-851800-00077	Relay (120 V.)	1
00-851800-00082	Switch, ON/OFF Rocker	1
00-851800-00083	Switch, Push Button Start	1
00-851800-00086	Thermostat, High Limit	1
00-851800-00087	Thermostat, Cooling Fans	1
00-851800-00088	Timer (115 V.)	1
00-851800-00089	Timer (208-240 V.)	1
00-851800-00090	Timer Buttons (Set of 3)	1